

Minuteman[®]

**PowerBoss[®] 26
Floor Scrubber**

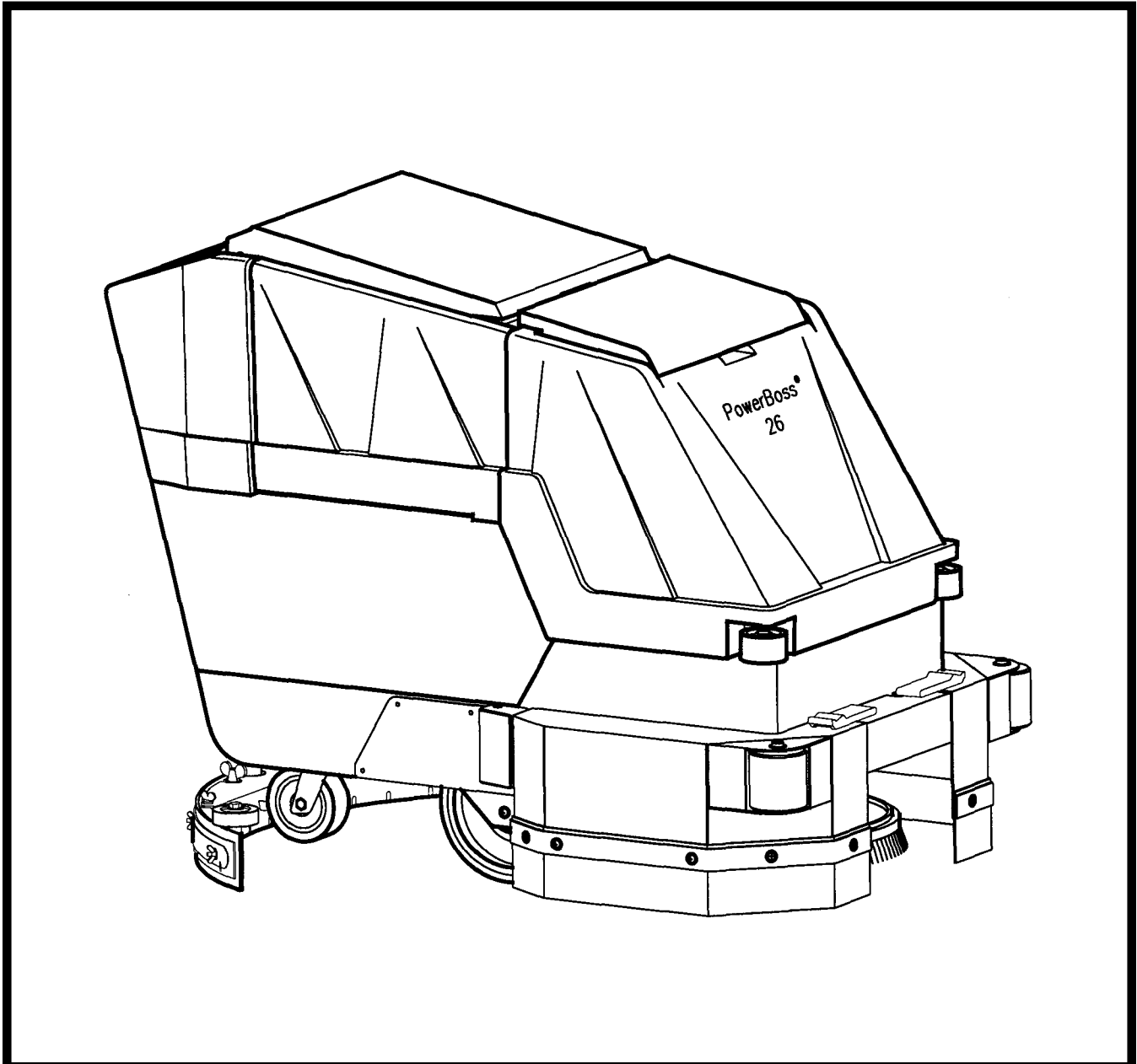
**Model:
PB260026QP
PB260026CE**

OPERATION

SERVICE

PARTS

CARE



Revised 9/05

EC Declaration of Conformity

according to Directives 89/392, 89/336, 72/73

We, Minuteman International Incorporated, of 111 South Rohlwing Road Addison Illinois 60101 USA, declare under our sole responsibility that the products MC260024CE, MC260026CE, MC260027CE, MC265024, MC265026 Commercial Automatic Floor Scrubbing machines to which this declaration relates corresponds to the relevant requirements of the EC Directives 89/392, 89/336 and 72/73. The following standards were used to determine compliance with the Directives: EN 292, EN 294, EN 811, EN 55011, EN 55104, EN 50082-2, EN 60335-1 and IEC 335-2-72.

SOUND		VIBRATION												
77 dB Operator	74 dB At 3m	1 m/s² At Operators Hand Grips												
<p>Tests were conducted on 6/7/96 with calibrated sound and vibration equipment under the conditions noted below:</p> <table style="width: 100%; border: none;"> <tr> <td style="width: 33%;">General Condition:</td> <td style="width: 33%;">Cloudy</td> <td style="width: 33%;">Wind:</td> <td style="width: 33%;">0 km/hr</td> </tr> <tr> <td>Temperature:</td> <td>29°C</td> <td>Humidity:</td> <td>85%</td> </tr> <tr> <td>Barometric Pressure:</td> <td>29.5</td> <td></td> <td></td> </tr> </table>			General Condition:	Cloudy	Wind:	0 km/hr	Temperature:	29°C	Humidity:	85%	Barometric Pressure:	29.5		
General Condition:	Cloudy	Wind:	0 km/hr											
Temperature:	29°C	Humidity:	85%											
Barometric Pressure:	29.5													



 Jeff Pollack, Standards Engineer

Feb. 11, 2002

 Date

TABLE OF CONTENTS

	Page
Safety Instructions	1
Electrical Requirements	2
Control Panel Identification	3
Squeegee Adjustments	4
Operating Instructions	5
Main Polyethylene Components	6, 7
Recovery Tank and Solution Tank	8, 9
Drive Assemblies	10, 11
Mainframe	12, 13
Console Assembly	14, 15
Squeegee Mechanism Assembly	16
Squeegee Assembly Complete	17
Wiring Diagram (Standard)	18
Wiring Diagram (CE Model)	19

IMPORTANT SAFETY INSTRUCTIONS

CAUTION

- Operators must read and understand this manual before operating or maintaining this equipment.
- Keep hands and feet clear of moving parts while machine is in operation.
- All switches must be in the “OFF” position when charging batteries.
- Electrical motors and components can cause an explosion when operated near explosive materials or vapors. Do not operate this machine near flammable materials such as solvents, thinners, fuels, grain dusts, etc.
- Make sure all switches are turned “OFF” and battery connections are removed before performing any maintenance procedures.
- Store or park this machine on a level surface only.
- These machines are designed for level floor operation only. DO NOT OPERATE on ramps or inclines.
- Battery acid can cause burns. When working on or around batteries, wear protective clothing and safety glasses. Remove metal jewelry. Do not lay tools or metal objects on top of batteries.
- This machine is not suitable for picking up hazardous dust.
- Charging batteries generates explosive gases. DO NOT CHARGE BATTERIES WHEN OPEN FLAMES OR SPARKS ARE PRESENT. DO NOT SMOKE. Make sure the charger is turned off before disconnecting it from the batteries. Charge the batteries in a well-ventilated area.
- Maintenance and repairs must be performed by authorized personnel.

SAVE THESE INSTRUCTIONS

ELECTRICAL REQUIREMENTS:

This piece of equipment operates on 24 Volt DC.

BATTERY REQUIREMENTS:

4 x 6V 220AH P/N 956720

4 x 6V 275AH P/N 956740

BATTERY SERVICE AND INSTALLATION:

* Warning: Battery acid can cause burns. When working on or around batteries, wear protective clothing and safety glasses. Remove metal jewelry. Do not lay tools or metal objects on top of batteries.

BATTERY INSTALLATION:

1. Disconnect tank drain hose from rear of machine (6).
2. Raise tank assembly by raising rear cover and tilting tank, Figure 1.
3. Install batteries as shown in Figure 2.

CHARGING OF BATTERIES:

Charging of batteries generates explosive gases. DO NOT CHARGE BATTERIES WHEN OPEN FLAMES OR SPARKS ARE PRESENT. DO NOT SMOKE. Make sure the charger is turned off before disconnecting it from the batteries. Charge the batteries in a well-ventilated area. Fluid levels should be checked before and after charging and maintained at the proper levels.

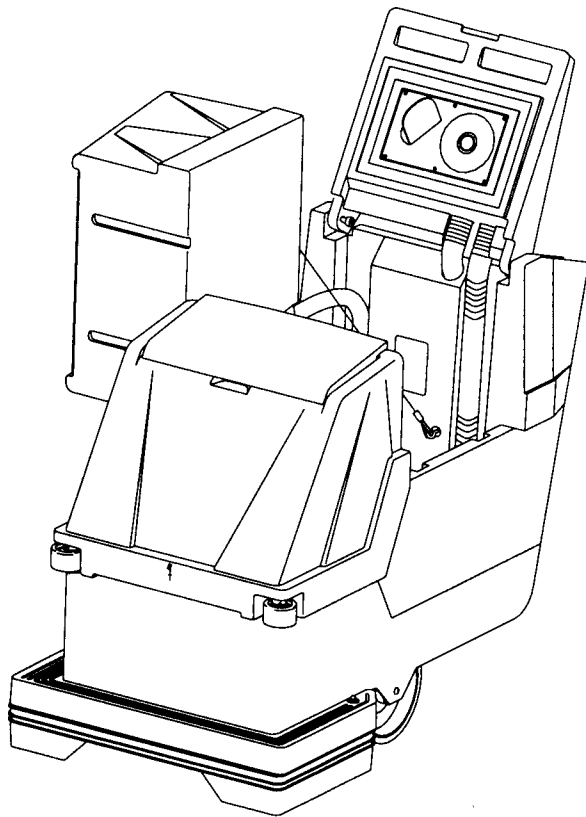


Figure 1

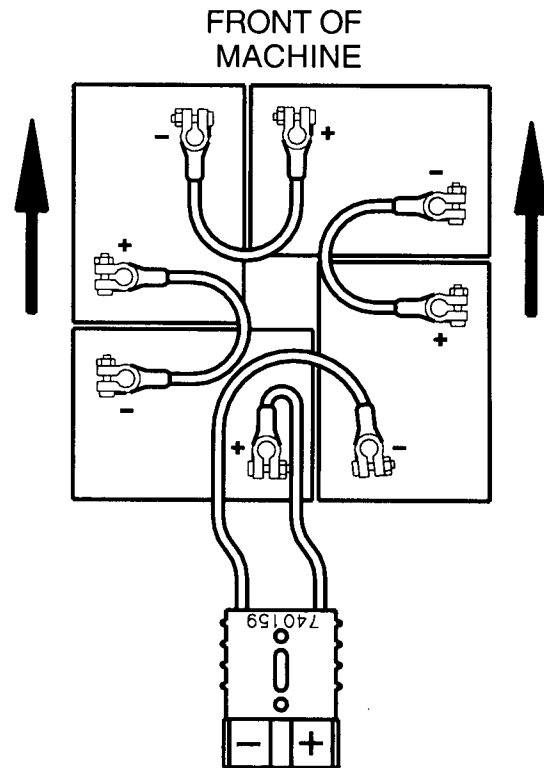
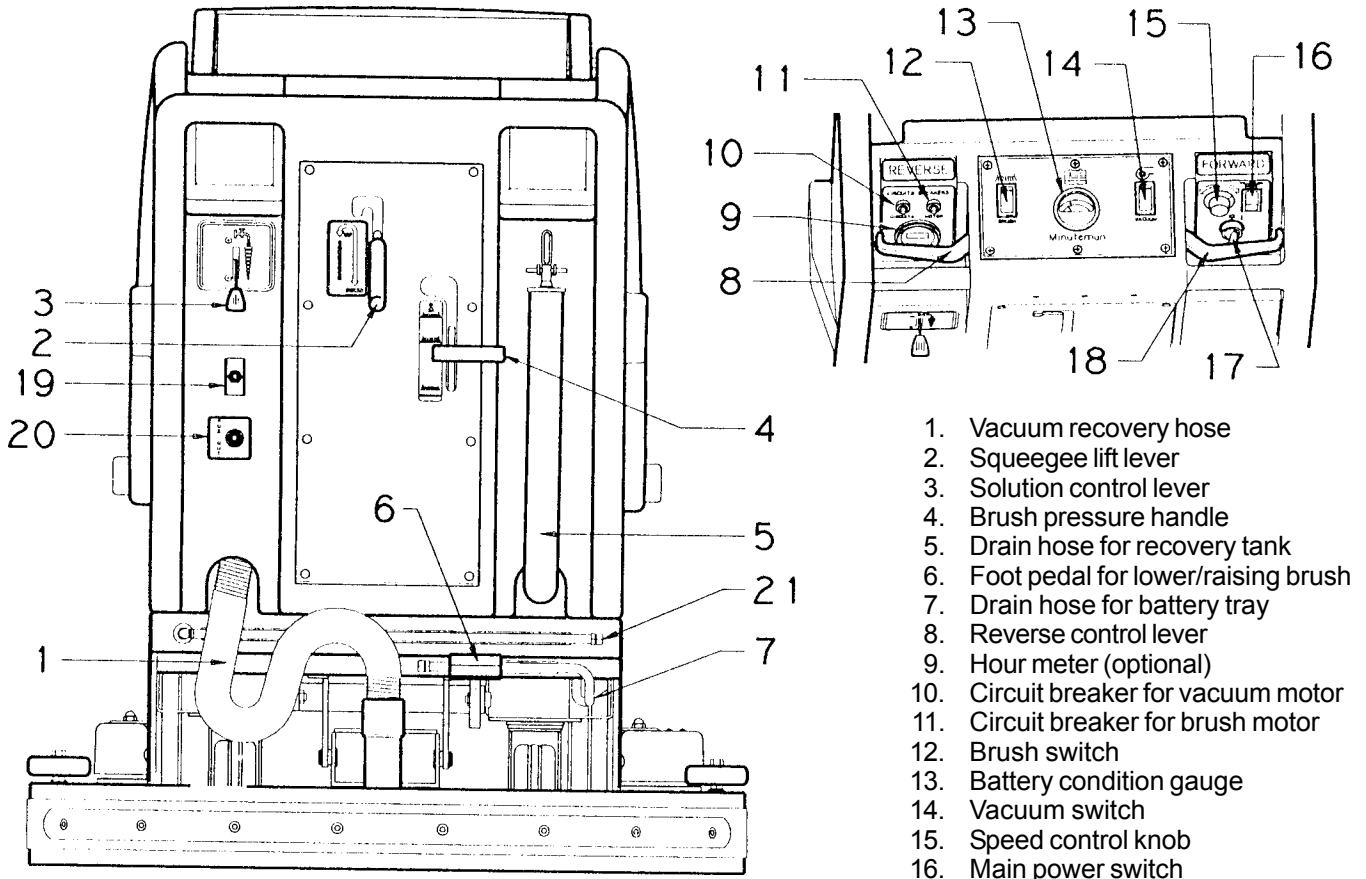


Figure 2

CONTROL PANEL IDENTIFICATION



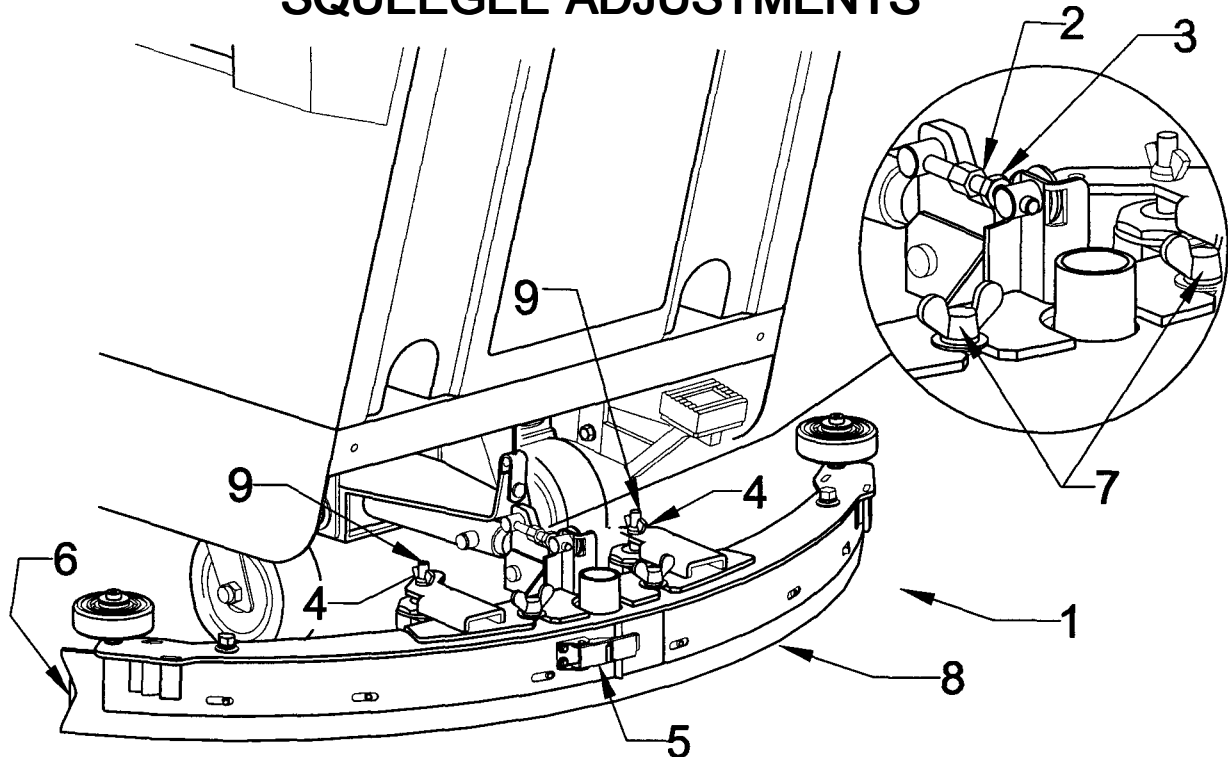
1. Vacuum recovery hose
2. Squeegee lift lever
3. Solution control lever
4. Brush pressure handle
5. Drain hose for recovery tank
6. Foot pedal for lower/raising brush
7. Drain hose for battery tray
8. Reverse control lever
9. Hour meter (optional)
10. Circuit breaker for vacuum motor
11. Circuit breaker for brush motor
12. Brush switch
13. Battery condition gauge
14. Vacuum switch
15. Speed control knob
16. Main power switch
17. Key switch (optional)
18. Forward control lever
19. Pump switch (optional)
20. Quick disconnect aux. out (optional)
21. Dump hose for solution tank

AUTO SCRUBBER BRUSH DESCRIPTION

TYPE	DESCRIPTION	DURABILITY*	COLOR	COMPARISON TO PADS	RECOMMENDED USE
Bassine	Natural Fiber	Short	DarkBrown	Red	Light duty general cleaning, acid etching
Nylon	Nylon	Medium	Black	Tan/Red	General cleaning & scrubbing vinyl floors, ceramic tile & concrete floors
Dyna-Scrub	Nylon impregnated with 500 Grit Silicon Carbide Fine Bristle, Dense Fill	Long	Light Blue	Red	General scrubbing, vinyl tile, ceramic tile, epoxy floors, urethane finish, uneven concrete floors
Power-Scrub	Nylon impregnated with 120 Grit Silicon Carbide Fine Bristle, Dense Fill	Long	Rust	Red/Blue	Moderate aggressive scrubbing, tile floors concrete floors
Poly-Grit	Nylon impregnated with 80 Grit Silicon Carbide Coarse Bristle	Long	Green	Brown/Black	Aggressive stripping and scrubbing, tile floors, unfinished concrete floors
Strata-Grit	Nylon impregnated with 46 Grit Silicon Carbide Coarse Bristle	Long	Dark Blue	Black	Heavy duty stripping/scrubbing unfinished concrete

* Durability is dependent on floor surface, chemicals used and proper care.

SQUEEGEE ADJUSTMENTS



The squeegee set-up is pre-adjusted at the factory. Adjustments may be required to get optimum performance for different floors and conditions.

1. Ensure that the scrubber is on a relatively flat surface. Turn on the main power switch and raise the scrubhead assembly off the floor. Lower the squeegee to the floor.
2. Turn the speed control knob counter-clockwise to the low speed position. Squeeze the forward control lever to lower the squeegee (item 1) to the floor. Move the machine one or two feet forward to check the rear squeegee blade (item 8) for uniform deflection to the floor.
3. If uneven deflection or lay is evident, minor adjustments may be necessary to avoid streaking and uneven wear on the blade.
4. To correct this, loosen the wing jam nut (item 4) in order to adjust the caster height. If the squeegee blade is deflecting too much, the casters need to be lowered to control the down pressure. Lower the caster by turning the exposed threaded stem (item 9) on the caster clockwise. Make the adjustment a few turns at a time.
5. Repeat step 2.
6. If the blades are not deflecting enough, raise the caster by turning the stem counter-clockwise to adjust the caster height to allow more down pressure on the squeegee. Repeat step 2.
7. Make sure that there is even deflection on the entire length of the rear blade. Adjust the casters and retighten the wing jam nuts to lock the caster setting in place.
8. Pitch adjustment is necessary if the outer ends on the squeegee blade does not contact the floor and there is too much deflection in the middle area or if the outer ends are over deflected and there is no contact in the middle.
9. To adjust the pitch, lower the squeegee to the floor. Loosen the lock nut (item 3) in the turnbuckle assembly. Turning the turnbuckle (item 2) clockwise or counter-clockwise controls the forward and backward pitch of the squeegee. Having the rear blades deflected uniformly along its entire length is the desired set-up.
10. Repeat step 2 until the desired set-up is achieved.
11. In certain applications where a non-slotted front wiper blade (item 6) is needed, detach the squeegee assembly by loosening the wing bolts (item 7). Unlock the clamp on the front squeegee to release the straps and flip the blade over to the non-slotted side. Reattach straps and lock the clamp back in place.
12. You can also easily replace the rear blade by unlatching the latch (item 5) and removing the straps by sliding them off the assembly.

OPERATING INSTRUCTIONS

1. Filling: Fill the solution tank with the desired amount of water and add liquid cleaning solution to the proper dilution ratio. DO NOT USE powdered cleaning chemicals. Powders are unlikely to dissolve thoroughly, resulting in clogging the in-line solution filter. This can reduce or stop water flow to the brush.
2. Close lid.
3. Turn on main power switch (refer to Page 3, #16).
4. Adjust main speed control, #15 to full counter-clockwise position.
5. Lower brush assembly.
 - Depress foot pedal (6) slightly and push in on lever (4) to release, to increase brush pressure pull up and back on lever (4) to lock in position.
 - To lift the brush, press the pedal down until lift mechanism engages.
6. Turn on brush switch.
7. Adjust solution control feed lever.
8. Select vacuum operation:
 - Brush Driven Models – Turn vacuum switch to “On” position
 - Traction Driven Models
 - (a) “Vacuum On” mode – Vacuum will remain on until switched to the “off” position
 - (b) “Vacuum Auto” mode – Vacuum will come on automatically when forward or reverse handles are squeezed, and remain on approximately 5 seconds after handle release.
9. Lower squeegee assembly.
10. Squeeze forward handle #18 and adjust forward speed.

After Use:

1. Turn off solution feed.
2. Switch off brush and raise.
3. Raise squeegee assembly.
4. Turn off vacuum motor.

Solution and recovery tanks should be emptied after every use.

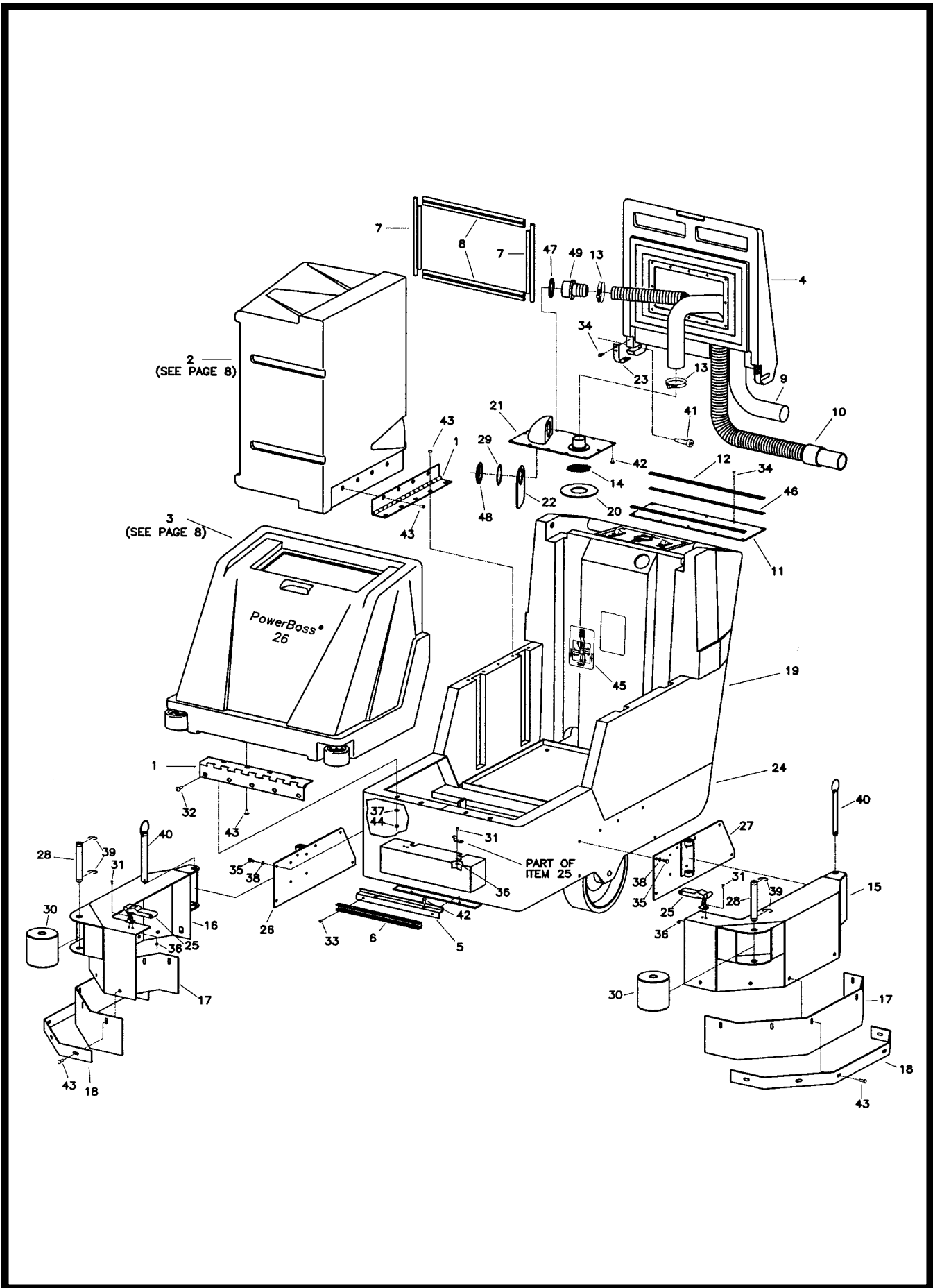
MAINTENANCE:

Daily

1. Clean float assembly & squeegee blades.
2. Recharge batteries (check battery acid levels before and after charging).

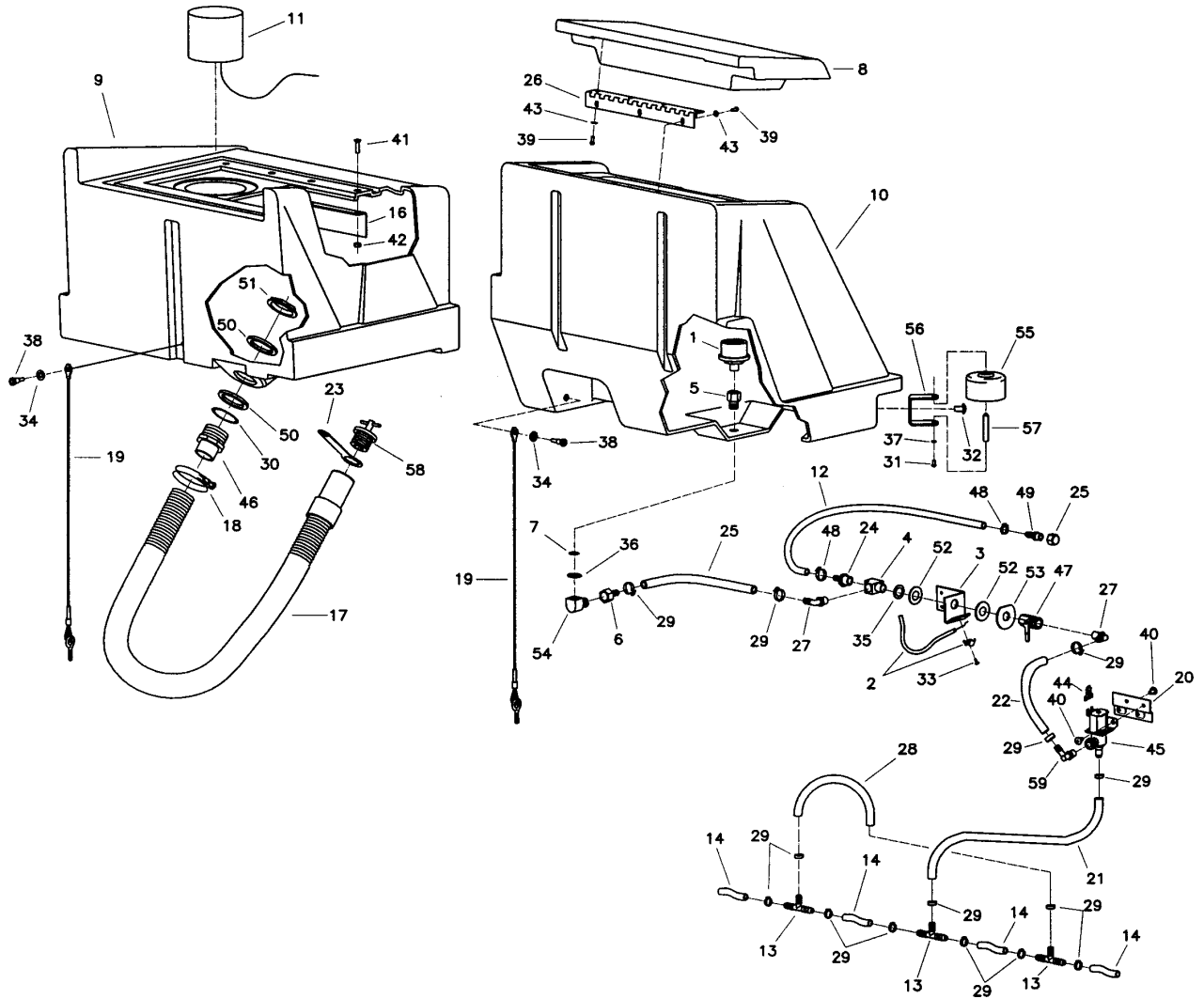
Monthly

1. Check wear on squeegee blades.
2. Grease front and rear wheels.
3. Grease pivot points on brush motor assembly.
4. Every 500 hours check condition of carbon brushes on vacuum motor and brush drive motor.



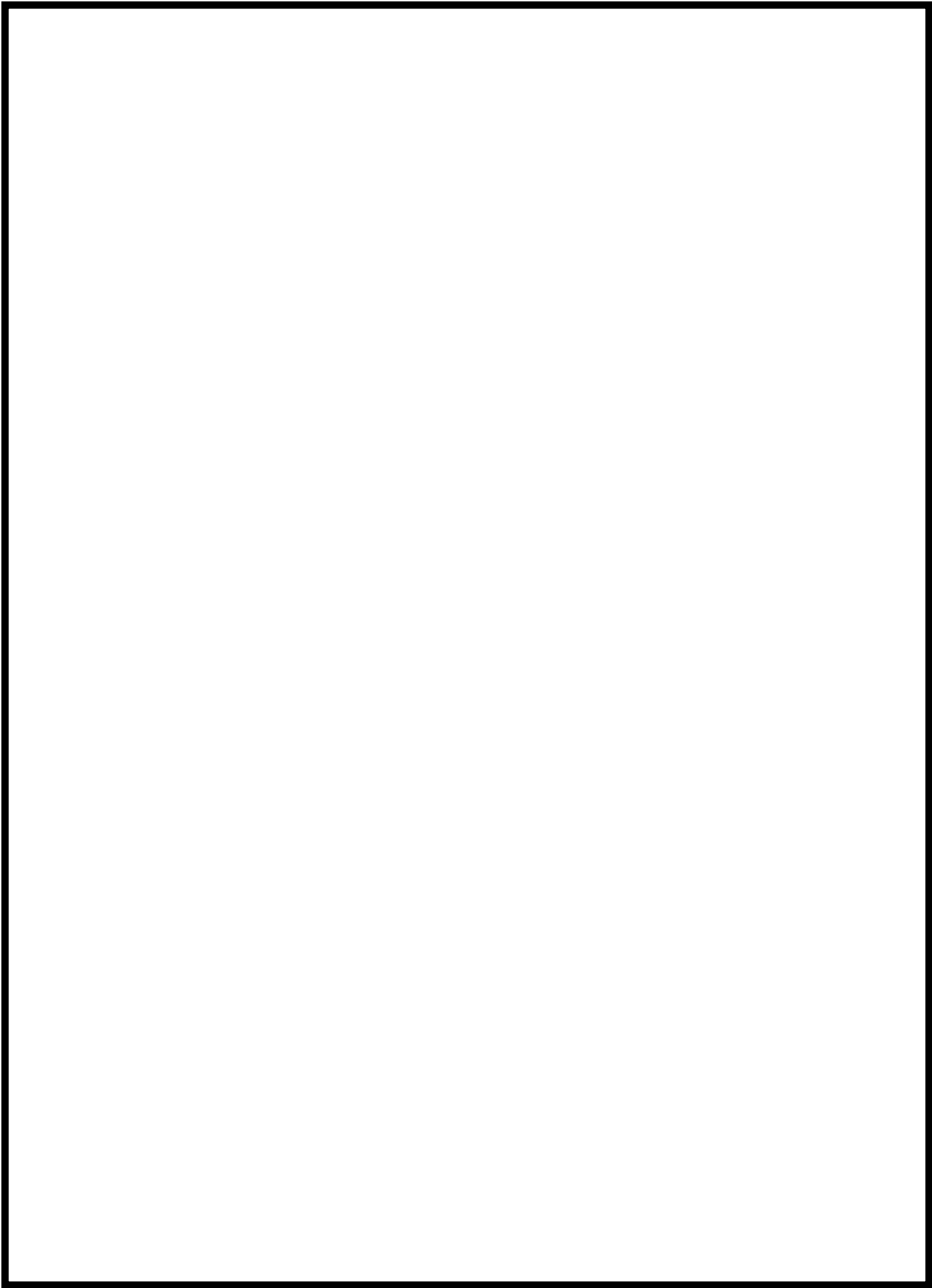
Parts List

Item	Part No.	Qty.	Description
1	260087	2	Hinge 15"
2	260091	1	Recovery Tank 260 Lt Gray
3	260092	1	Solution Tank 260 Lt Gray
4	260096B	1	Recovery Lid 260 Burgundy
5	260148	1	Solution Dump Bracket
6	260149	1	U Channel 12"
7	260157	2	Lid Gasket Short 260B
8	260158	2	Lid Gasket 260B
9	260159	1	Vac Hose 1/5 x 78" Wireloc
10	260160	1	Recovery Hose Assy. 260B
11	260169	1	Lid Flap
12	260170	2	Retainer, Flap
13	260203	2	Hose Clamp 102120 Murray
14	260212	1	Screen Filter
15	260228	1	Left Shroud Weldment
16	260230	1	Right Shroud Weldment
17	260232	2	Rubber Skirt
18	260233	2	Skirt Retainer
19	260256	1	Base 260TD Char Gray
20	260294	1	Gasket 260
21	260299	1	Shut-Off Plate Assy.
22	260301	1	Deflector Flap
23	260353	2	Lid Pivot Strap
24	260375	1	Mainframe PWRBS 260 TD
25	340664	2	Soft Latch w/Keeper
26	380204	1	380 Sideplate Weldment - Right
27	380207	1	380 Sideplate Weldment - Left
28	380215	2	Roller Pin
29	450081	1	WSR - 1.908 x 2.41 x .03 SS
30	66-436-A	2	Roller
31	710153	8	SCR-MC 10-32 x .37 ZINC
32	710180	4	SCR-MC 1/4-20 x .75 ZINC
33	711124	2	SCR-ST B 10 x .37 NI
34	711161	18	SCR-Hi/Lo 10 x 3/4 ZINC
35	711202	12	BLT-HH 1/4-20 x .50 STL ZINC
36	711350	8	Nut-Nyloc 10-32
37	711505	4	Washer - Flat 1/4
38	711544	12	WSR - 1/4 Helical
39	711715	4	Ret Ring Ext .75
40	711811	2	Hitch Pin 1/2 x 5 1/2
41	712102	2	Bolt - Shoulder 1/2 x 1.50
42	712540	14	SCR-MC 10-24 x .37 SS TH
43	712565	30	SCR-MC 1/4-20 x .62 SS
44	712667	4	Nut-Hex Nyloc 1/4-20 SS
45	715607	1	Decal - Battery Cable Routing
46	760263	2	Foam Tape 1/16 x 1/2"
47	828970	1	WSR-Neop 1.87 x 2.4 x .125
48	828971	1	Nut - 1-1/2 Pipe Thread
49	831812	1	Fitting ABS 1.5MPT 1.5HOSE



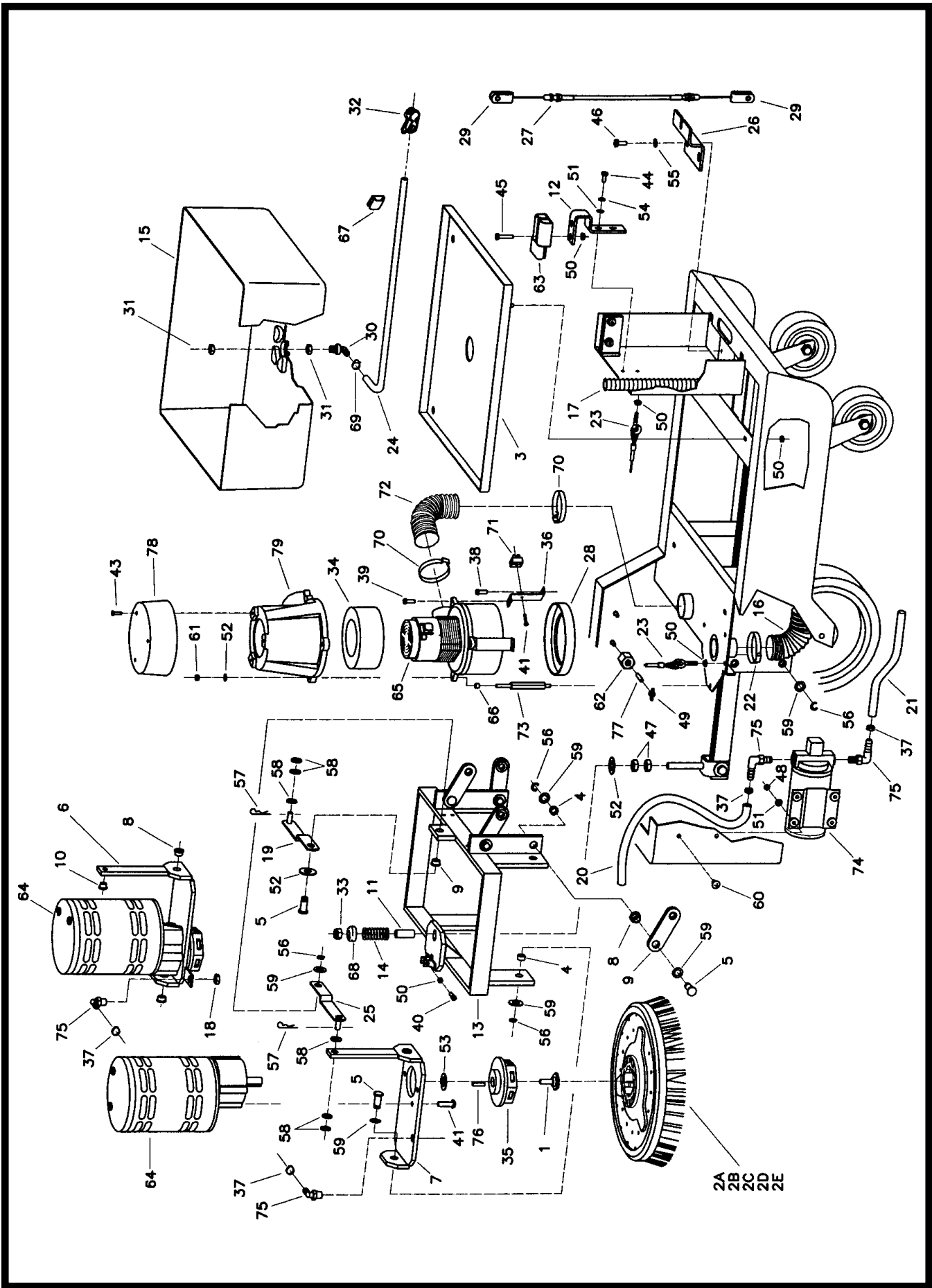
Parts List

Item	Part No.	Qty.	Description
1	130118	1	Solution Strainer M3-40
2	210045	1	Solution Control Cable
3	210370	1	Solution Valve Bracket
4	210408	1	Fitting Brass Tee 3/8MPT 3/8FPT
5	210409	1	Fitting Brass 3/8MPT 3/8FPT
6	210410	1	Fitting Brass 3/8 FPT 3/8 Hose
7	210414	1	O-Ring 2-113
8	260029B	1	Solution Lid Burgundy
9	260091	1	Recovery Tank 260 Lt Gray
10	260092	1	Solution Tank 260 Lt Gray
11	260156	1	Float Assembly
12	260162	1	Hose Solution Dump 38"
13	260178	3	Fitting Nylon T 3/8HOSE
14	260179	4	Hose Nylobraid 3/8 x 2.38
15	260182	1	Solution Hose C/L 18"
16	260184	1	Support Angle
17	260202	1	Hose Assembly 260B New Style
18	260203	1	Hose Clamp 102120 Murray
19	260214	2	Tank Cable Assembly 260
20	260215	1	Bracket, Water Valve
21	260216	1	Solution Hose 3/8 x 14.75
22	320254	1	Solution Hose
23	320269	1	Strap, Drain Plug Retaining
24	342430	1	Fitting Brass 3/8 MPT x 3/8 Hose
25	430114	1	Fitting Nylon Cap 1/4 FPT
26	450021	1	Hinge
27	450040	2	Elbow PLT 3/8MPT x 3/8Barb
28	450055	1	Hose Nylon 3/8ID 9"
29	450076	15	Crimp Clamp 185R SS
30	450081	1	WSR-SS 1.908 x 2.41 x .03 SS
31	710353	2	SCR-MC 10-32 x .37 Zinc
32	710985	2	SC 3/8-16 x .62
33	711124	1	SCR-ST-B 10 x .37 NI
34	711506	2	WSR-Flat 5/16 (Narrow) ST PL
35	711512	1	WSR-Flat .75 x 1.37 x .08
36	711513	1	WSR-Flat .689 x 1.06 x .029 SS
37	711553	2	WSR-Internal Lock #10
38	712041	2	Bolt-Shoulder 1/4-20 x .44 x .3
39	712540	7	SCR-MC 10-24 x .37 SS TH
40	712560	4	SCR-MCH 1/4-20 x .50 SS NYL
41	712563	4	SCR-MCH 1/4-20 x 1.00 SS
42	712667	4	Nut-Hex Nyloc 1/4-20 SS
43	712764	7	WSR #10 SS
44	740482	1	Diode Assembly
45	740493	1	Water Valve 24VDC
46	760220MCH	1	1.5 Adapter MCH (833310)
47	809413MCH	1	Valve, Solution
48	828490	1	Hose Clamp-Crimp 140R
49	828952	1	Fitting PP 1/4 MPT x 3/8 Barb
50	828970	2	WSR-Neop 1.87 x 2.4 x .125
51	828971	1	Nut 1 1/2 Pipe Thread
52	828975	1	WSR-Neoprene .75 x 1.5 x .09
53	829463	1	SS Washer
54	830062	1	Fitting Brass 90 3/8MPT x 3/8FPT
55	832896	2	Guide Wheel ACSII
56	832949	2	Bracket, Bumper
57	833254	2	Bumper Wheel Axle
58	833316	1	Drain Plug
59	833325	1	Fitting Nylon 90 1/4MPT 3/8HOSE



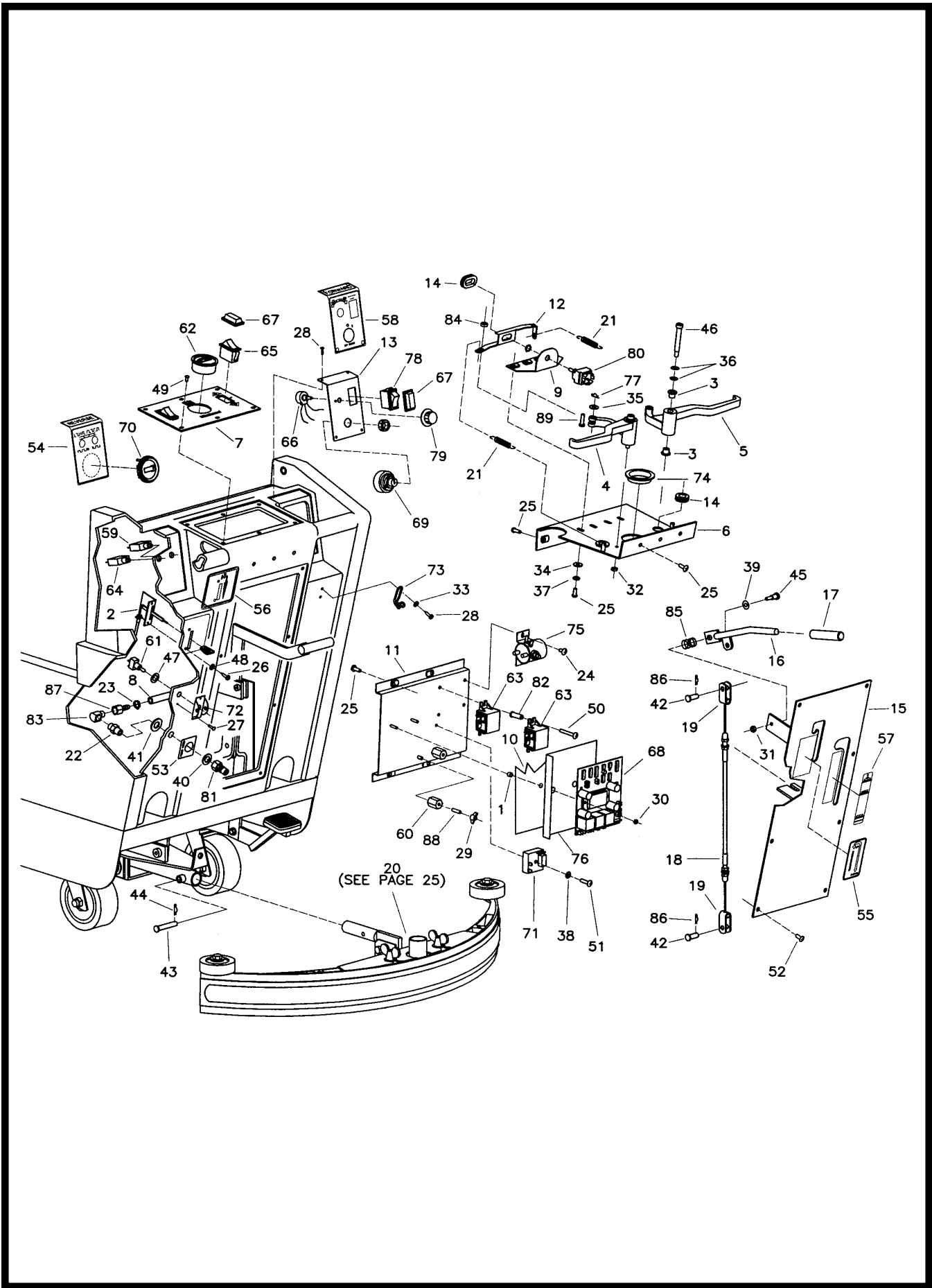
Parts List

Item	Part No.	Qty.	Description
1	210142	1	Pedal Pad
2	260030	5	Bushing .5015 x .628 x .375 OI
3	260041	2	Bushing-FLG .502 x .750 x .375
4	260043	1	Lift Arm, Left Side
5	260046	1	Pedal Brace
6	260044	1	Lift Arm, Right Side
7	260054	1	Pedal Weldment
8	260055PTD	1	Lift Handle Weldment
9	260075	1	Yoke Weldment
10	260125	1	Bushing, Yoke .407 x 1.687 STL
11	260128	1	Spacer-Yoke
12	260141	1	Spacer-Lift Arm
13	260256	1	Base 260TD Char Gray
14	260317	1	Squeegee Mech. Assy.
15	260360	1	Mainframe MMN 260TD
16	260366	2	Transaxle Bracket 260TD
17	260370	2	Wheel 10" x 2.75 x .75 BORE
18	260371	2	Key 3/16 x 3/16 x 2.00
19	710196	4	SCR-MC 5/16-18 x .75
20	710986	2	SC 3/8-16 x 1.00 Zinc
21	710992	1	Shoulder Bolt 1/2 x 1.25 x 3/8
22	711228	8	Bolt-HH 5/16-18 x .75 STL ZINC
23	711232	4	Bolt-HH 5/16-18 x 1.50
24	711250	2	Bolt-HH 3/8-16 x 1.25 STL ZINC
25	711374	2	Nut Nyloc 5/16-18
26	711375	2	Nut-Nyloc 3/8-16 1/2NUT
27	711380	2	Nut, Nyloc 3/8-16
28	711439	3	Nut-Flanged Wizz 3/8-16
29	711507	2	WSR-Flat .37 x 1.12 x .06
30	711512	2	WSR-Flat .75 x 1.37 x .08
31	711545	16	Washer Helical 5/16
32	711546	10	Washer Helical 3/8
33	711575	22	Washer Flat .31 x .75 x .06 STL
34	711579	2	WSR-Flat .56 x 1.00
35	712081	2	Shoulder Bolt 5/6-18 x .75
36	712099PLT	2	Shoulder Bolt 1/2 x 1/2
37	712310	6	WSR-Flat .52 x .87 x .06 PL
38	712680	4	Nut-Hex 5/16-18 SS
39	713042	4	Bolt-HH 3/8-16 x 1.00 #5
40	713045	1	Bolt-HH 3/8-16 x 1.75 #5
41	713048	1	Bolt-HH 3/8-16 x 2.50 #5
42	744160	1	Transaxle 13" 24V
43	762340	2	Bushing .502 x .625 x .270 STL
44	809226	2	WSR-Flat .40 x 1.50 x .12
45	809247	2	Spacer .442 x .50 x .312
46	827110	2	Caster 5"
47	832829	2	Nut-U Type 5/16-18



Parts List

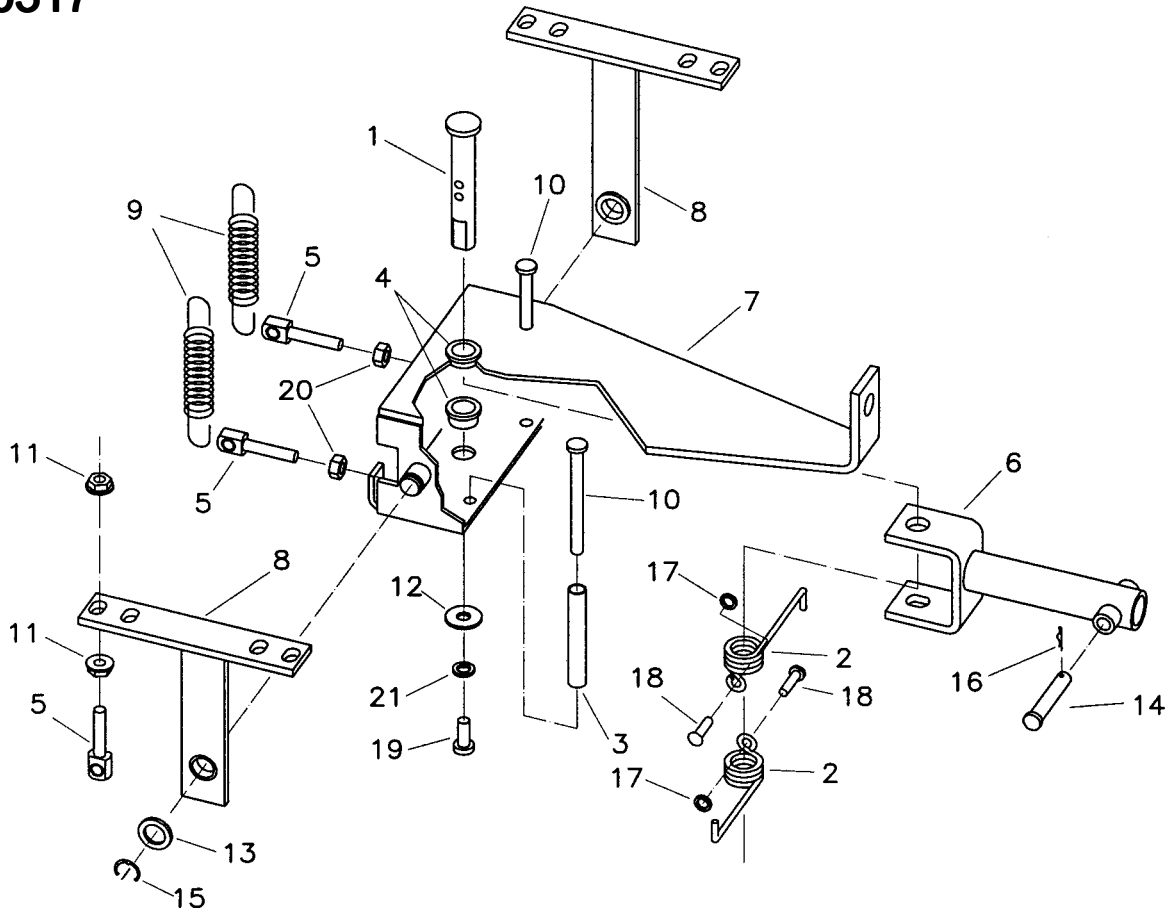
Item	Part No.	Qty.	Description			
1	210066	2	Drive Hub Retainer Bolt	38	710180	2
2A	260002	2	Pad Holder-26B	39	712129	2
2B	260003	2	Brush Feed Thru Bassine	40	710823	2
2C	260004	2	Brush 26B Nylon	41	710986	8
2D	260005	2	Brush Poly-Grit 26B	42	711128	1
2E	260006	2	Brush Strata-Grit 26B	43	711160	3
3	260009	1	Battery Tray 14GA	44	711203	2
4	260030	8	Bushing .5015 x .628 x .375 OI	45	711210	2
5	260036	13	Pin, Retainer	46	711228	2
6	260038PTD	1	Motor Mount Weldment R.H.	47	711334	2
7	360039PTD	1	Motor Mount Weldment L.H.	48	711350	4
8	260041	13	Bushing-FLG .502 x .750 x .375	49	711368	2
9	260049	4	Linkage Bar .312GA	50	711425	10
10	260066	2	Bushing-FLG .377 x .687 x .406	51	711505	7
11	260068	1	Spacer, Spring	52	711510	2
12	260076	1	Bracket Anderson Plug	53	711517	2
13	260077	1	Motor Frame Weldment	54	711544	2
14	260137	1	Spring Comp .960 x 2.00 Zinc	55	711545	2
15	260150	1	Battery Liner	56	711713	13
16	260159	1	Hose Vac 1.5 x 78" Wireloc	57	711808	2
17	260175	1	Cable Conduit	58	712301	6
18	260183	2	Nut 1/4 NPT NYL	59	712310	25
19	260187	1	Retainer Bar Weldment R.H.	60	712545	4
20	260193	1	Solution Hose 3/8 Nylobr	61	712667	1
21	260194	1	Pressure Hose 3/8 x 50	62	740132	2
22	260203	1	Hose Clamp 102120 Murray	63	740159	1
23	260214	2	Tank Cable Assembly 260	64	740209	2
24	260224	1	Drain Hose 1/4 x 18 Silicone	65	740225	1
25	260250	1	Retainer Bar Weldment L.H.	66	762073	1
26	260315	1	Lift Cable Bracket	67	809444	1
27	260337	1	Squeegee Cable	68	828264	1
28	290017	1	Molded Vac Motor Gasket	69	828490	1
29	320248	2	Pin-Clevis, Slotted	70	829067	2
30	320271	1	Fitting PP 90 3/8MPT 3/8HOSE	71	832996	1
31	320272	2	Nozzle Body Lock Nut	72	833191	1
32	320273	1	Hose Shut-Off Clamp	73	833265PLT	1
33	364-816	1	Nut-Nyloc 1/2-13 Half	74	833299	1
34	380064	1	Foam Ring	75	833325	4
35	430035	2	Drive Hub	76	833621	2
36	450038-H	2	Z-Bracket 5.7 VDE Zinc	77	833638	2
37	450076	4	Crimp Clamp 185R SS	78	840011	1
				79	840012	1



Parts List

Item	Part No.	Qty.	Description	Item	Part No.	Qty.	Description
1	200340	2	Spacer	46	712100	2	Bolt-Shoulder 3/8 x 2.25
2	210045	1	Solution Control Cable	47	712310	5	WSR-Flat .52 x .87 x .06 PL
3	260066	4	Bushing-FLG .377 x .687 x .406	48	712320	2	WSR-Nylon .22 x .45 x .04
4	260069MCH	1	Left Handle	49	712540	6	SCR-MC 10-24 x .37 SS TH
5	260070MCH	1	Right Handle	50	712570	2	SCR-MC 1/4-20 x 1.75 SS
6	260099	1	Platform Handle	51	712814	1	SCR-MC 10-24 x .87 STPL
7	260084TDSP	1	Dashboard, Screen Printed	52	712822	8	SCR-MC 10-24 x .50 TH
7CE	260084CETDSP	1	Dashboard, CE Screen Printed	53	715144	1	Decal Aux. Pump
8	260194	1	Hose Nylobraid C/L 50	54	715602	1	Decal Reverse 260
9	260198	1	Switch Mounting Bracket	55	715603	1	Decal Squeegee Lift 260
10	260210	1	Clear Polyethylene Sheet	56	715604	1	Decal Solution 260
11	260253	1	Electrical Panel	57	715605	1	Decal Brush Position 260
12	260254	1	Switch Actuator	58	715608	1	Decal Forward 260 TD
13	260255	1	Speed Control Bracket	59	740131	1	70 amp Circuit Breaker
13CE	260255CE	1	Speed Control Bracket CE	60	740132	2	Insulator (Glastic)
14	260274	3	Rubber Grommet	61	740188	1	Toggle Switch
15	260284	1	Back Panel	62	740216	1	Gauge Battery Condition
16	260286	1	Squeegee Lift Arm	63	740241	2	Contactora 24V 50 amp
17	260291	1	Handle Grip	64	740247	1	30 amp Circuit Breaker
18	260337	1	Squeegee Cable	65	740736	1	Vacuum Switch
19	320248	2	Pin-Clevis, Slotted	65CE	742102	1	Vacuum Switch CE
20	320297	1	Squeegee Assembly Complete	66	740804	1	Potentiometer Assy
21	430051	2	Return Spring .313 x .438 x 2.	67	740811	3	Switch Boot CE
22	450059	1	1/4 NPT Bulkhead Fitting	68	740944-1	1	SCR Control Board 24V
23	450076	1	Crimp Clamp 185R SS	69	741005	1	Keypress (optional)
24	710178	4	SCR-MC 1/4-20 x .50	70	741007	1	Hour Meters (optional)
25	710180	15	SCR-MC 1/4-20 x .75 Zinc	71	741037	1	5 Sec. Time Delay
26	711125	2	SCR-ST-B 10 x .50	72	760277	1	Switch Guard
27	711128	2	SCR-ST-B Hi-Lo 8 x .62 Zinc	73	760286	1	Wire Formed Hook
28	711161	6	SCR-HI/LO #10 x 3/4 Zinc	74	762400	1	Heyco Bushing
29	711368	2	Wing Nut Nyloc 1/4-20 PL	75	788147	1	Solenoid 24V
30	711372	2	Nut-Nyloc 8-32	76	805637	1	Fiber Insulator
31	711373	1	Nut-Nyloc 1/4-20	77	809311	2	Cotter Pin
32	711420	2	Nut-Hex Jam 5/16-18	78	809754	2	Switch Rocker
33	711503	2	WSR-Flat 10	78CE	740711CE	2	Switch Rocker CE
34	711505	4	WSR-Flat 1/4	79	809874	1	Knob
35	711506	2	WSR-Flat 5/16 (Narrow) ST PL	80	827060	1	Forward/Reverse Switch
36	711523	4	WSR-WAVE .38 x .68 x .01	81	828368	1	BH2-61 Male Coupler
37	711544	4	WSR-Helical 1/4	82	828935	2	Spacer
38	711553	1	WSR Internal Lock #10	83	831306	1	Street 90 1/4 Brass
39	711575	1	Washer Flat .31 x .75 x .06 STL	84	832015	2	Spacer
40	711594	1	WSR-Flat .56 x .88 x .03	85	833102	1	Spring Compression
41	711595	1	WSR-Flat .59 x 1.18 x .09	86	833374	2	Cotter Pin
42	711668	2	Clevis Pin 3/8 x 1.00	87	833473	1	Hose Barb 1/4 FPT x 3/8 Barb
43	711671	1	Clevis Pin .31 x 2.13 11-10	88	833638	2	Brass Stud
44	711808	1	Pin-Hairpin Cotter #13	89	881002	2	Clevis Pin 5/16 x 1
45	712070	1	Bolt-Shoulder 5/16 x .75				

Squeegee Mechanism Assembly 260317

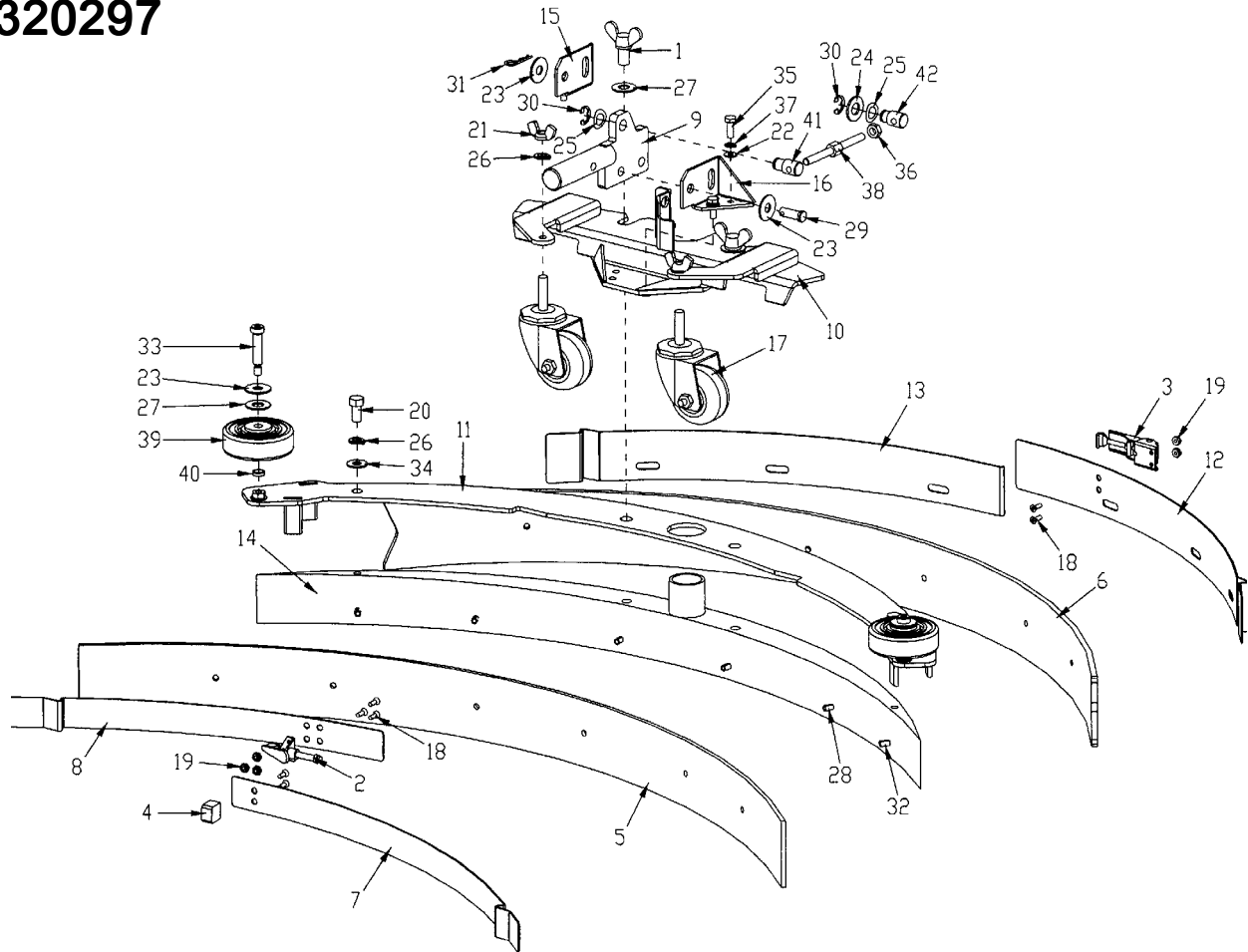


Parts List

Item	Part No.	Qty.	Description
1	210375	1	Swivel Pin
2	210391	2	Torsion Spring .563 x 2.595 SS
3	210400	2	Spacer Tube
4	260041	2	Bushing-FLG .502 x .750 x .375
5	260292	4	Swing Bolt Zinc Plated
6	260312	1	Yoke Weldment 260
7	260314	1	Spring Housing Weldment
8	320008	2	Pivot Bracket Asy.
9	430051	2	Return Spring .313 x .438 x 2.
10	712592	2	SCR-MC TH 1/4-20 x 3 SS
11	711425	2	Nut-Flange Wizz 1/4-20
12	711504	1	WSR-Flat 1/4 SS
13	711517	2	WSR-Flat .77 x 1.37 x .03
14	711671	1	Clevis Pin .31 x 2.13 11-10
15	711715	2	Ret Ring Ext .75
16	711808	1	Pin-Hairpin Cotter #13
17	712320	2	WSR-Nylon .22 x .45 x .04
18	712536	2	SCR-MC 10-24 x .62 SS
19	712562	1	Bolt-HH 1/4-20 x .75 SS
20	712665	2	Nut-Hex 1/4-20 SS
21	712758	1	WSR-Helical 1/4 SS

SQUEEGEE ASSEMBLY COMPLETE

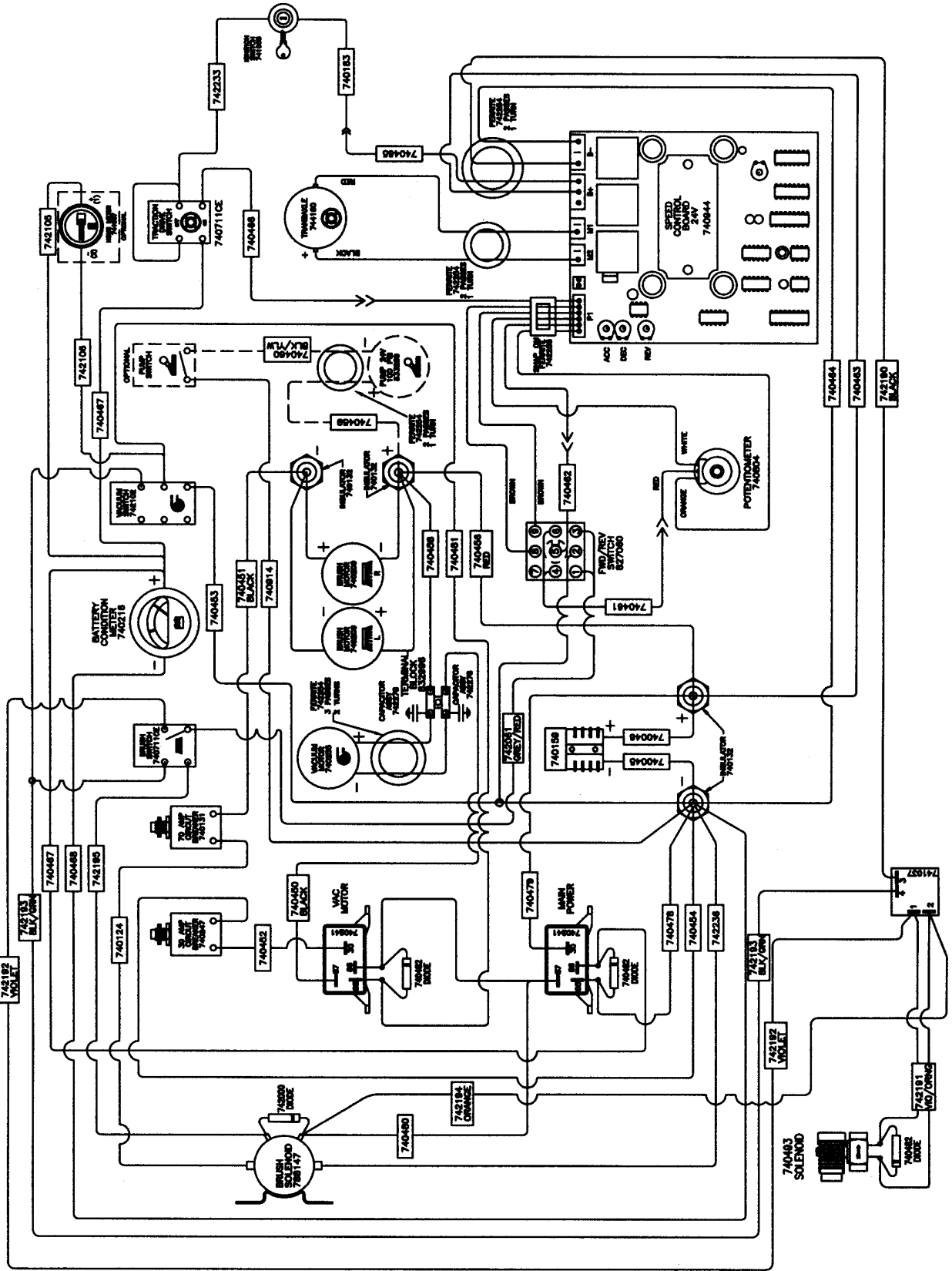
320297



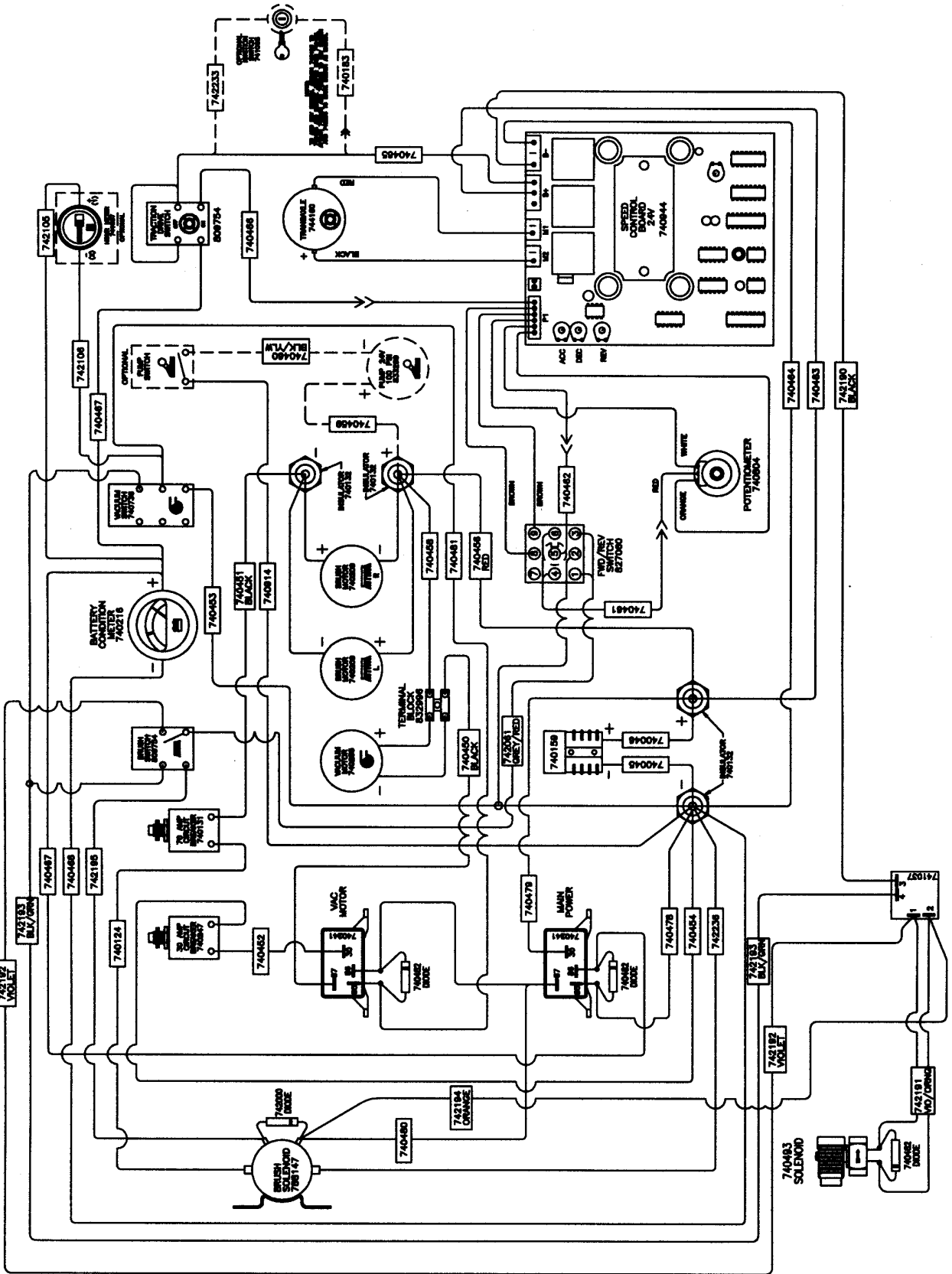
Parts List

ITEM	PART NO.	REQ'D	DESCRIPTION	ITEM	PART NO.	REQ'D	DESCRIPTION
1	220249	2	WING BOLT 1/2-13 X .75"	22	711504	4	WSR-FLAT 1/4 ID SS
2	281074	1	SQUEEGEE TOGGLE CLAMP, 2800	23	711507	4	WSR-FLAT .37 X 1.12 X .06
3	281075	1	SQUEEGEE LATCH, 2800	24	711509	1	WSR-FLAT 1/2 (.54X1.082X.087)
4	281740	1	STOP BAR	25	711524	2	WSR-WAVE .52 X .87 X .01
5	320014	1	SQUEEGEE FRONT BLADE 320	26	711546	4	WSR-HELICAL 3/8
6	320015	1	SQUEEGEE REAR BLADE 320	27	711592	4	WSR NYLON .5 X 1.06 X .06
7	320021	1	STRAP - FRONT STOP 320	28	711658	8	ROLL PIN 1/4"X1.00"
8	320022	1	STRAP-FRONT CLAMP 320	29	711668	1	CLEVIS PIN, 3/8X1 11-141
9	320154	1	SQUEEGEE MOUNT WELD'T NEW	30	711713	2	RETAINING RING - "E" TYPE EXT .500
10	320289	1	SQ. MTG BRKT WELDM'T	31	711808	1	COTTER PIN-HAIR #13
11	320293	1	TOP PLATE WELDMENT, 320	32	711904	2	ROLL PIN 1/4"X1.50"
12	320310	1	STRAP-REAR LATCH 320	33	712091	2	SHOULDER BLT 3/8 X 1.50
13	320313	1	STRAP-CATCH 320	34	712301	2	WSR-FLAT .87 X .38 X .06
14	320314	1	320 SQ CASTING MCHD, NEW	35	712562	4	BOLT-HH 1/4-20X3/4 SS
15	383424	1	MOUNTING BRACKET-RIGHT	36	712680	1	NUT-HEX 5/16-18 SS
16	383425	1	MOUNTING BRACKET-LEFT	37	712758	4	WSR-HELICAL 1/4 SS
17	430325	2	CASTER WHEEL 3/8"-16 X 1.500	38	750689	1	ADJUSTMENT STUD
18	710530	7	SCR-MC FL HD 8-32 X .50 BRS	39	808829	2	WHEEL,TRUCK
19	711026	5	NUT, HEX 8-32 NYLOC SS	40	832015	2	SPACER .38 X .50 X .140
20	711241	2	SCR-HEX 3/8 -16X .75" ZP	41	762022PLT	1	NUT, ADJUSTING (LH)
21	711367	2	NUT - WING 3/8-16 ST PL	42	762257PLT	1	NUT, ADJUSTING (RH)

WIRING DIAGRAM TRACTON DRIVE CE MODEL



WIRING DIAGRAM TRACTON DRIVE STANDARD MODEL



LIMITED WARRANTY

Minuteman International, Inc. warrants to the original purchaser/user that this product is free from defects in workmanship and materials under normal use and service for a period of three years from date of purchase. In addition, Minuteman International, Inc. will, at its option, honor labor warranty claims for the first 12 months from date of sale, provided such claims are submitted through and approved by factory authorized repair stations. Minuteman International, Inc. will, at its option, repair or replace without charge, except for transportation costs, parts that fail under normal use and service when operated and maintained in accordance with the applicable operation and instruction manuals.

This warranty does not apply to normal wear, or to items whose life is dependent on their use and care, such as belts, cords, switches, hoses, rubber parts, electrical motor components or adjustments. Parts not manufactured by Minuteman International, Inc. such as engines, batteries, battery chargers, hydraulic pumps, and tires are covered by and subject to the warranties and/or guarantees of their manufacturers. Please contact Minuteman International, Inc. for procedures in warranty claims against these manufacturers.

Special warning to purchaser — Use of replacement filters and/or prefilters not manufactured by Minuteman International, Inc. or its designated licensees, will void all warranties expressed or implied.

A potential health hazard exists without exact original equipment replacement.

All warranted items become the sole property of Minuteman International, Inc. or its original manufacturer, whichever the case may be.

Minuteman International, Inc. disclaims any implied warranty, including the warranty of merchantability and the warranty of fitness for a particular purpose. Minuteman International, Inc. assumes no responsibility for any special, incidental or consequential damages.

This limited warranty is applicable only in the U.S.A. and Canada, and is extended only to the original user/purchaser of this product. Customers outside the U.S.A. and Canada should contact their local distributor for export warranty policies. Minuteman International, Inc. is not responsible for costs or repairs performed by persons other than those specifically authorized by Minuteman International, Inc. This warranty does not apply to damage from transportation, alterations by unauthorized persons, misuse or abuse of the equipment, use of non-compatible chemicals, or damage to property, or loss of income due to malfunctions of the product.

If a difficulty develops with this machine, you should contact the dealer from whom it was purchased.

This warranty gives you specific legal rights, and you may have other rights which vary from state to state. Some states do not allow the exclusion or limitation of special, incidental or consequential damages, or limitations on how long an implied warranty lasts, so the above exclusions and limitations may not apply to you.

Minuteman[®]

A Minuteman International Company

World Headquarters

Minuteman International, Inc.
111 South Rohlwing Road
Addison, Illinois 60101

(630) 627-6900
FAX (630) 627-1130

Minuteman Canada, Inc.
2210 Drew Road
Mississauga, Ontario
L5S 1B1

(905) 673-3222
FAX (905) 673-5161

988013
Rev. A 9/05
Printed in U.S.A.